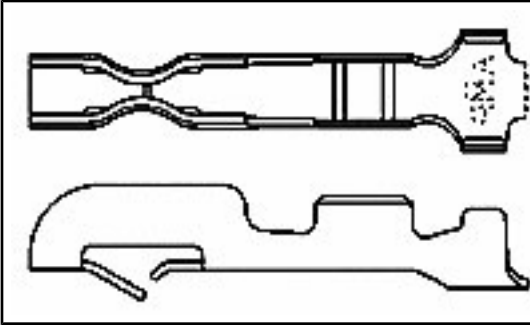


# 170204-1 Product Details

---



**170204-1**

TE Internal Number: 170204-1

 [Active](#)

## Crimp Termination

 [Always EU RoHS/ELV Compliant \(Statement of Compliance\)](#)

### Product Highlights:

- Contact
- Contact Type = Receptacle
- Terminate To Wire
- No PCB Retention Feature
- Wire Range = 0.12-0.50<sup>2</sup> [26-20] mm [AWG]

[View all Features](#)

## Documentation & Additional Information

### Product Drawings:

- None Available

### Catalog Pages/Data Sheets:

- [ECONOMY INTERCONNECTION \(EI\) SERIES CONNECTORS](#) (PDF, English)
- [REPRESENTATIVE TERMINALS AND CONNECTORS](#) (PDF, English)

### Product Specifications:

- [AMP EI Series, Connector](#) (PDF, Japanese)

### Application Specifications:

- [Crimping of AMP EI Series Connector Contacts](#) (PDF, Japanese)

### Instruction Sheets:

- [AMP "EI" Series Connector](#) (PDF, English)
- [PEW12 HAND TOOL\(EI 170204-1\)](#) (TIF, Japanese)

### CAD Files:

- None Available

[List all Documents](#)

### Additional Information:

- [Product Line Information](#)

### Related Products:

- [Tooling](#)
- [Housings \(88\)](#)

## Product Features (Please use the Product Drawing for all design activity)

### Product Type Features:

- [Product Type](#) = Contact
- [PCB Retention Feature](#) = No
- [Wire Insulation Diameter \(mm \[in\]\)](#) = 1.09 – 1.91 [0.043 – 0.075]
- For Use With = Standard Profile Housing

### Body Related Features:

- [Wire Range \(mm \[AWG\]\)](#) = 0.12-0.50<sup>2</sup> [26-20]

### Contact Related Features:

- [Contact Type](#) = Receptacle
- [Contact Base Material](#) = Brass
- [Contact Mating Area Plating Material](#) = Pre-Tin

### Industry Standards:

- [RoHS/ELV Compliance](#) = RoHS compliant, ELV compliant
- [Lead Free Solder Processes](#) = Not relevant for lead free process
- RoHS/ELV Compliance History = Always was RoHS compliant

### Conditions for Usage:

- [Terminate To](#) = Wire

### Packaging Related Features:

- [Packaging Method](#) = Loose Piece

### Other:

- Brand = AMP